

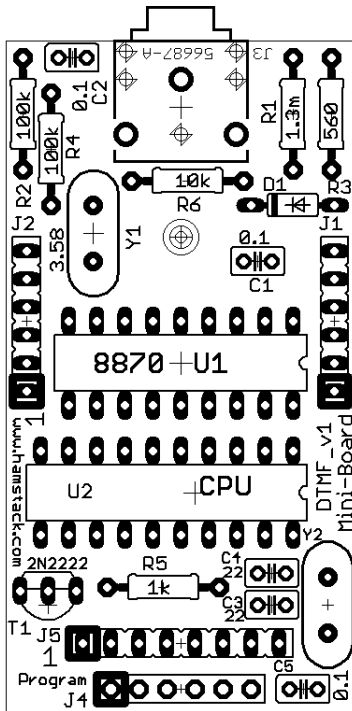
Sierra Radio Systems



HamStack
DTMF
Mini-Module

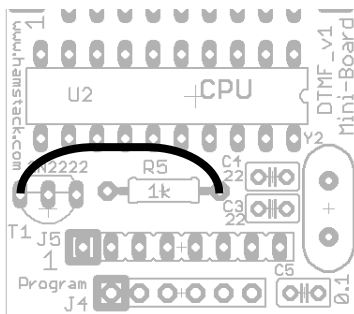
Quick Reference

DTMF Decoder Mini Module



Parts List

C2	0.1	
C3	22pf	
C4	22pf	
C5	0.1	
J1	6 pin female SIP header	
J2	6 pin female SIP header	
J3	3.5mm stereo jack	
J4	6 pin female SIP header	
J5	8 pin female SIP header	
R1	1.3M	
R2	100k	
R3	560k	
R4	100k	
R5	1k	(Do not install)
R6	10k	
T1	2N2222	(Do not install)
U1	8870	
U2	18F14K50	
Y1	3.58 MHz	
Y2	10 MHz	



Assembly Note

Do not install R5 or T1. Add jumper as shown.

DTMF Decoder Mini Module

