

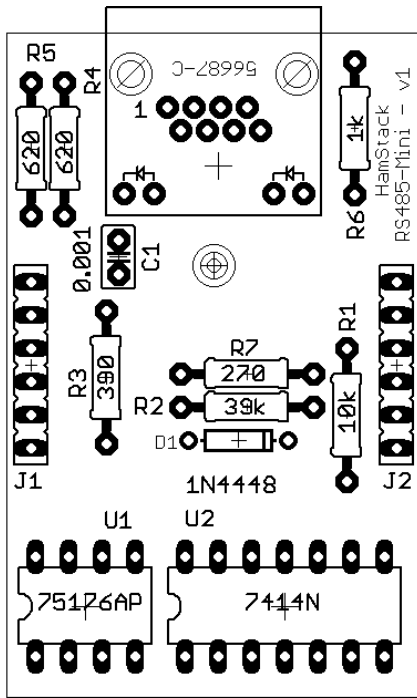
# Sierra Radio Systems



## HamStack Mini-Module RS485

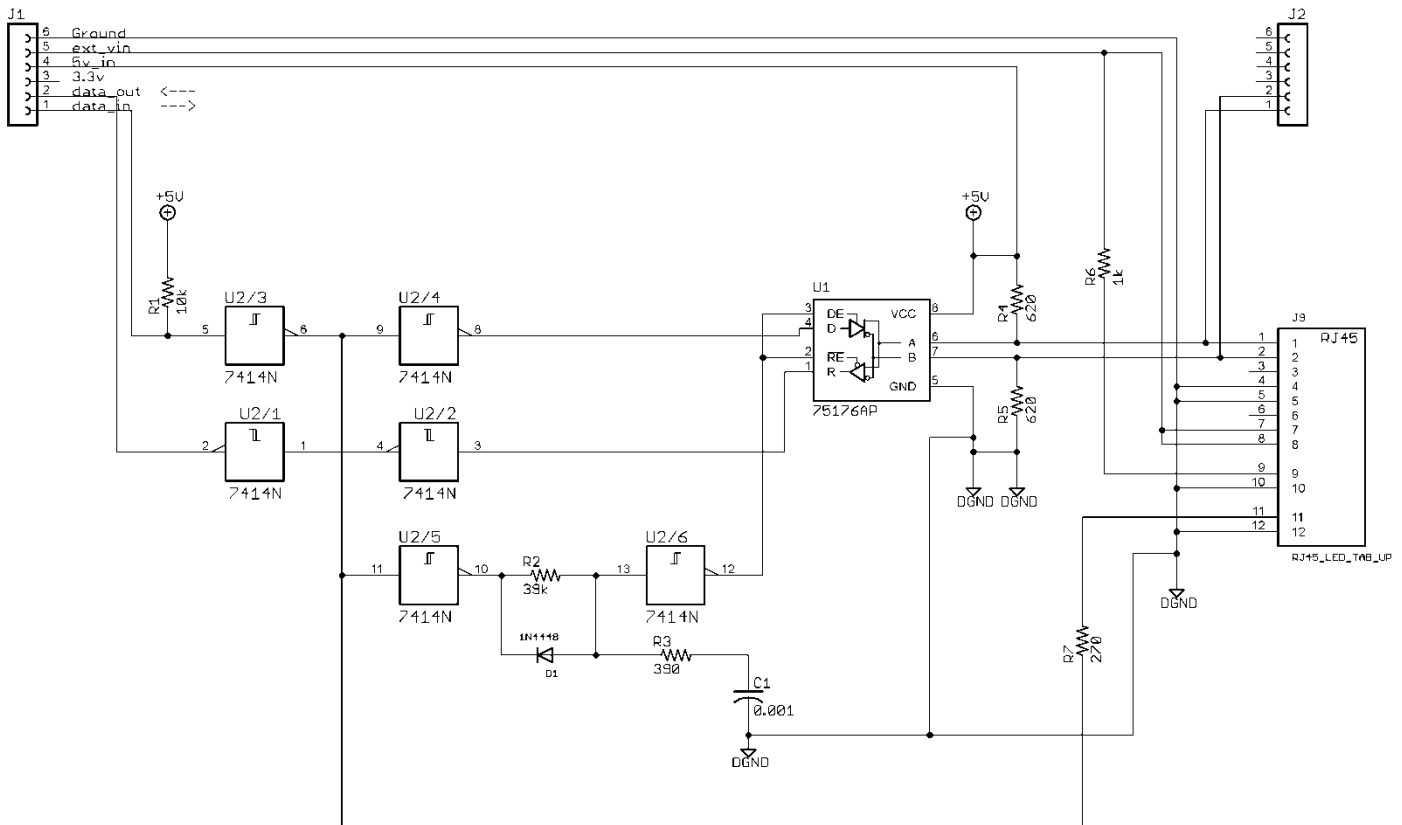
### Quick Reference

# RS485 Mini Module



## Parts List

C1	0.001
D1	1N4448
J9	RJ45
R1	10k
R2	39k
R3	390
R4	620
R5	620
R6	1k
R7	270
J1	6 pin SIP female header
J2	6 pin SIP female header
U1	75176
U2	7414



# RS485 Mini Module

