

# Sierra Radio Systems



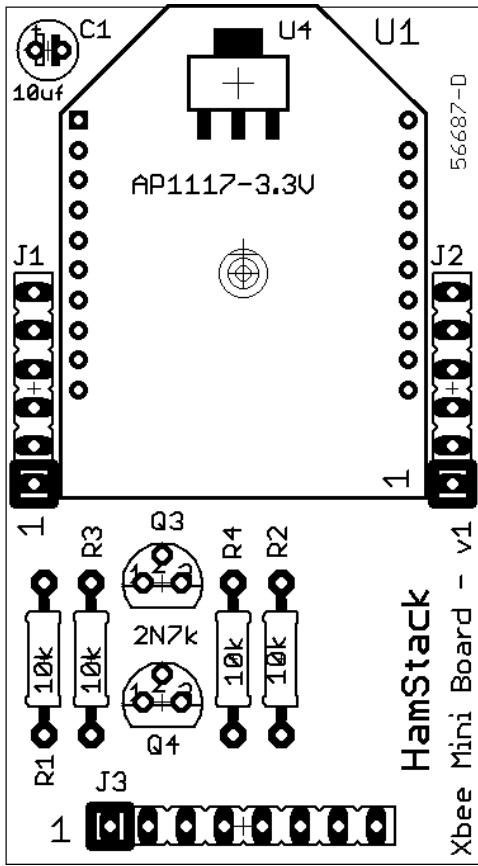
## HamStack Mini-Module Xbee RF Data Transceiver

### Quick Reference

# Xbee Mini-Module

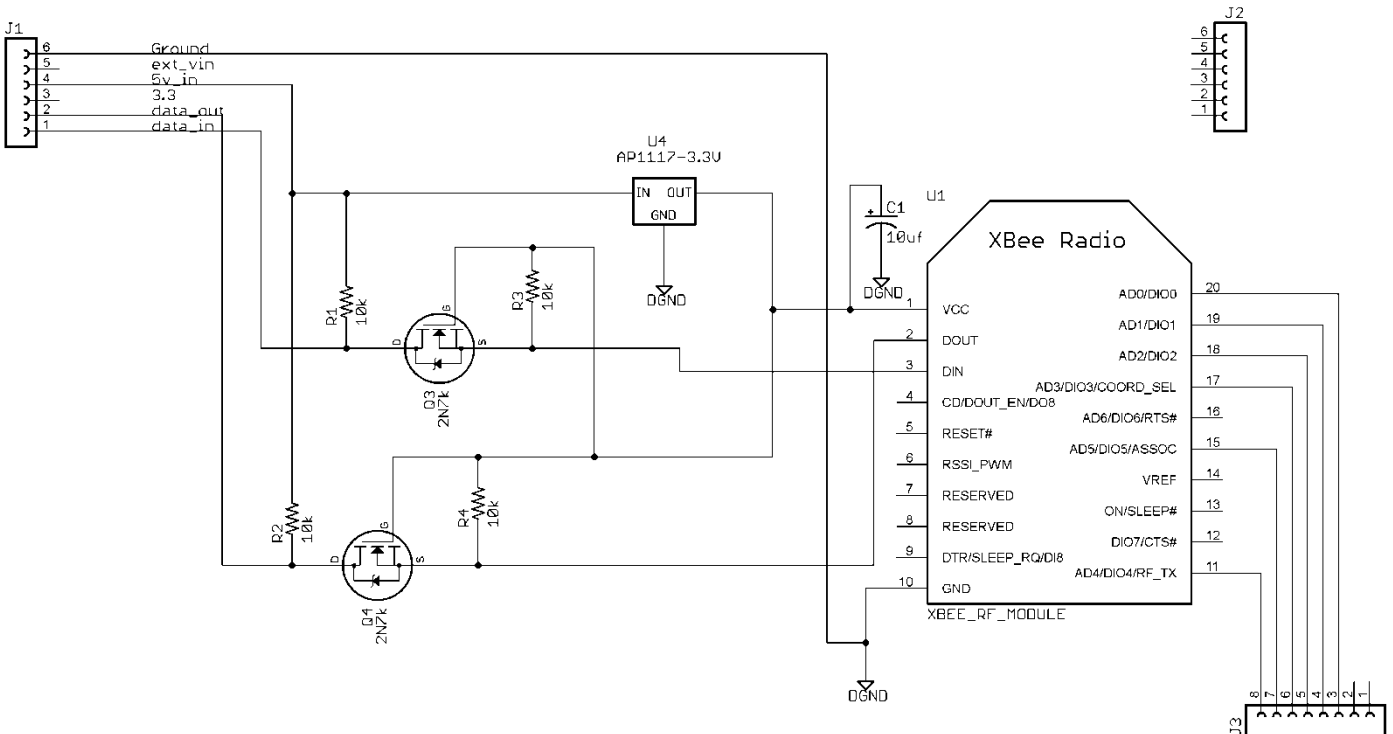
The Xbee Mini-Module is provides a connection from a standard Xbee data radio module to a HamStack board that supports Mini-Module header connectors. The Xbee board includes a 5v to 3.3v level shifter to match the 3.3v Xbee radio modules to the standard 5v logic used in HamStack boards.

# Xbee Mini-Module



## Parts List

C1	10uF Electrolytic
J1	6 pin SIP female header
J2	6 pin SIP female header
J3	8 pin SIP female header
Q3	2N7000
Q4	2N7000
R1	10k
R2	10k
R3	10k
R4	10k
U4	AP1117-3.3v
U1SOC	2x 10 pin 2mm SIP female socket



# Xbee Mini-Module Schematic

