

Kenwood Repeater Wiring for the SRS Repeater Control System

Kenwood Repeater Wiring for the SRS Repeater Control System

Kenwood TK850, TK-750 DB25 Connector

DB25 pin 9 Tx audio input to SRS controller RCB DB9 pin 5 (Tx audio out)

DB25 pin 11 Rx audio out to SRS controller RCB DB9 pin 1 (Rx audio in)

DB25 pin 16 PTT input to SRS controller RCB DB9 pin 4 (PTT out)

DB25 pin 17 "Squelch Control" to SRS controller RCB DB9 pin 2 (COR input)

DB25 pins 7, 12, 19 are ground and should be tied together and connect to the RCB DB9 pin 3.

If you use an external PL decoder, the logic output of the decoder goes to RCB DB9 pin 6.

If the repeater has a PL decoder and the internal COR and PL decode logic is combined and comes out as just the COR output logic, you would still hook up the DB25 pin 17 (SC) to the SRS RCB DB9 pin 2 AND set the SRS controller port configuration to "COR" mode, not "COR and PL" mode in the config program.

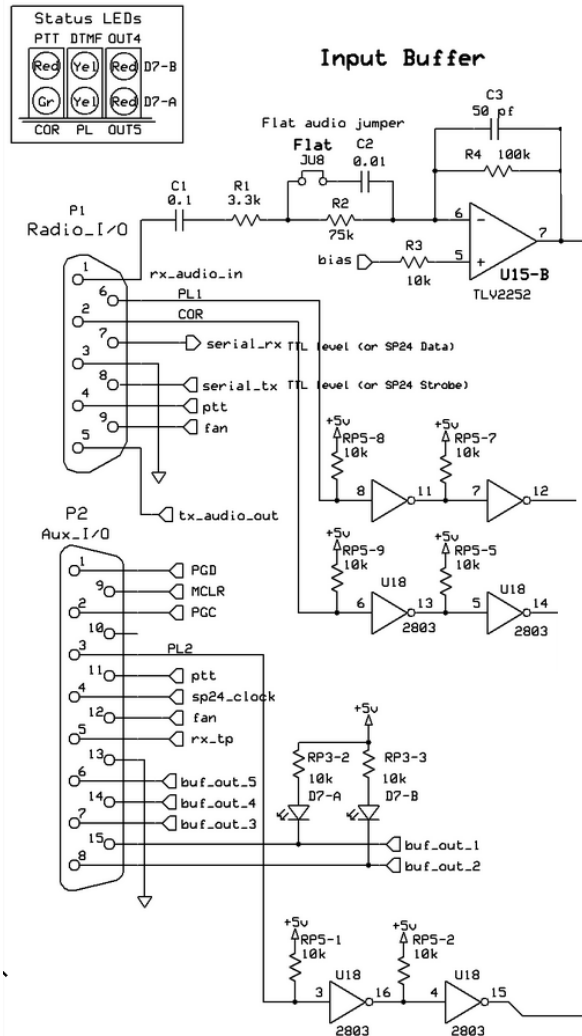
The logic out to PTT the transmitter is a ULN2803 driver IC that uses an open collector configuration of a Darlington transistor. We use the same output device also for controlling the cooling fan and the 5 user programmable outputs.

SRS Radio Control Board

External Connections

Primary radio connections

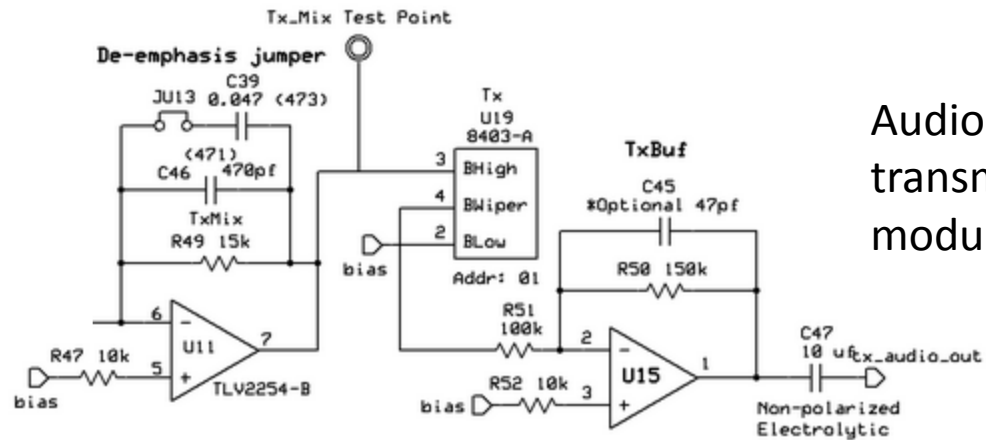
Aux IO pins



SRS Radio Control Board

External Connections

*Optional caps on op amps are used for frequency response tailoring, and normally not used.



Audio out to transmit modulator

Buffered logic outputs

